

High Reliability 20mm LED Lamps

SLV 200A

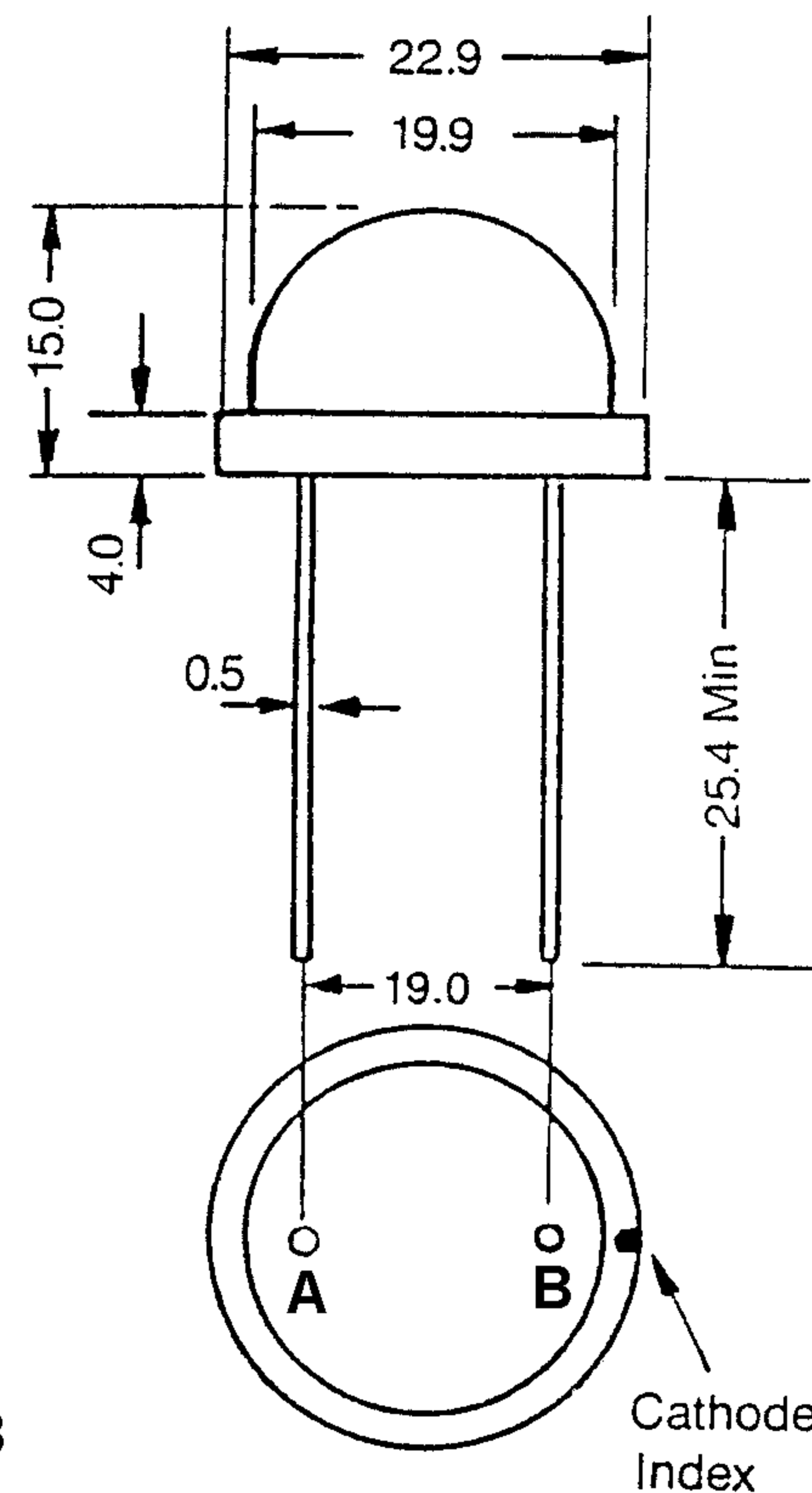
GENERAL DESCRIPTION

The SLV 200A series of a large LED lamps encapsulated in epoxy resin with an approximately 19.9mm diameter and available in red, orange, green and yellow. Applications are primarily in various industrial equipments and a large instrument panels requiring a large viewing.

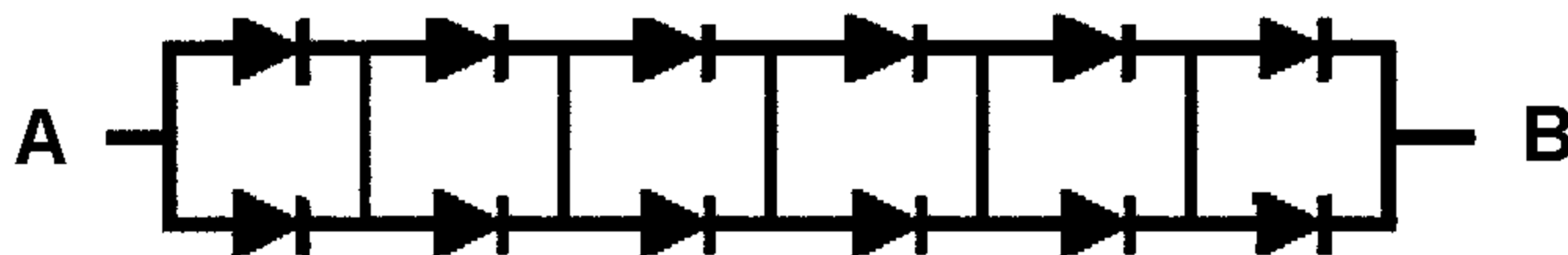
FEATURES

1. Large lens
2. High brightness
3. High reliability and long term stability
4. No saturation in current versus intensity characteristics
5. Easily identifiable cathode index

PACKAGE DIMENSIONIONS



PIN ARRANGEMENT



 三光半導體株式會社
SAM KWANG SEMICONDUCTOR CO., LTD.

803 Silla Techno Vil., 39-3 Dang-dong Kunpo-City Kyungki-do, Korea
TEL:031-456-1444/1484, FAX:031-456-4224